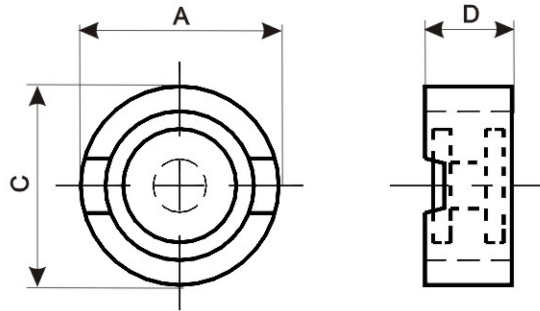


## [DRI TYPE]

## 面實裝 POWER CHOKE CORES 基座型

U.S. Base Type



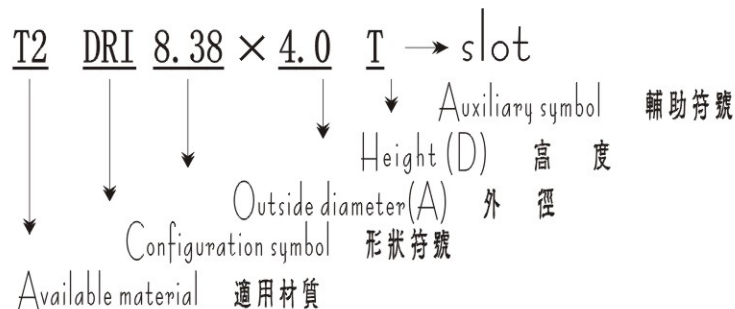
### FEATURES 特長

提供大定格電流，高電感值，防止高頻輻射干擾之閉磁路，基座型之磁芯。

Base type power choke cores provide large rated current, high inductance, magnetically shielded structure prevents interference from peripheral components.

### PRODUCT IDENTIFICATION

### 產品識別碼



### 產品尺寸標注：

品名	DR:A	B	D	F	RI:A	C	D
DR3.9*2.1 D-3							
RI3.9*3.05*1.52T	3.90±0.1	1.15±0.1	2.1±0.15	1.1±0.15	3.9±0.15	3.05±0.15	1.52±0.1
DR4.5*2							
RI5.9*4.8*1.8T	4.50±0.1	1.9±0.1	1.1±0.15	2.0±0.15	5.9±0.15	4.8±0.15	1.8±0.1
DR4.5*2.45							
RI5.9*4.8*2.2T	4.50±0.1	2.0±0.1	2.45±0.15	1.3±0.15	5.9±0.15	4.8±0.15	2.2±0.15
DR4.8*2.5							
RI8.38*6.7*2.55	4.8±0.15	2.0±0.15	2.5±0.15	1.3±0.15	8.38±0.2	6.7±0.2	2.55±0.15
DR4.8*4							
RI8.38*6.7*4.05T	4.8±0.15	2.8±0.15	4.0±0.15	2.4±0.15	8.38±0.2	6.7±0.2	4.05±0.2
DR9.6*6							
RI12.7*11.1*6T	9.6±0.15	5.5±0.15	6.0±0.15	3.8±0.15	12.7±0.2	11.1±0.2	6.0±0.2

### USEAGE 用途

冷光手表

ALARM

小型通信器

手提電腦

Cold light watch;

Alarm;

Small size communication equipment;

Notebook PC.

## [DRI TYPE]

U.S. Base Type

## 面實裝 POWER CHOKE CORES 基座型

### STANDARD SPECIFICATIONS OF DRI (美規) POWER CHOKE CORES

面實裝基座型, 電感值, 直流抵抗, 定格電流規格表

Tolerance of Inductance:  
電感值公差

DRI 3.9×2.1 T:  
1.0~10000 $\mu$ H $\pm$ 20%

DRI 8.38×4.0 T:  
1.0~47 $\mu$ H $\pm$ 20%

DRI 12.7×6.0 T:  
10~1000 $\mu$ H $\pm$ 20%

Inductance 電感 L( $\mu$ H)	DCR( $\Omega$ )Max. 直流抵抗			Rated D.C. Current(A) 定格電流		
	DRI 3.9×2.1T	DRI 8.38×4.0T	DRI 12.7×6.0T	DRI 3.9×2.1T	DRI 8.38×4.0T	DRI 12.7×6.0T
1.0	0.040	0.018		3.0	5.0	
1.5	0.045	0.019		2.8	4.5	
2.2	0.050	0.028		1.8	3.8	
3.3	0.055	0.034		1.6	3.3	
4.7	0.060	0.047		1.4	2.7	
6.8	0.065	0.065		1.2	2.2	
10	0.075	0.088	0.035	1.0	2.0	3.9
15	0.090	0.13	0.042	0.8	1.5	3.4
22	0.11	0.18	0.051	0.7	1.3	3.1
33	0.19	0.29	0.065	0.6	1.1	2.8
47	0.23	0.41	0.084	0.5	0.8	2.4
68	0.29		0.12	0.4		2.0
100	0.48		0.18	0.3		1.7
150	0.59		0.255	0.26		1.3
220	0.77		0.41	0.22		1.1
330	1.4		0.68	0.20		0.86
470	1.8		0.94	0.19		0.73
680	2.2		1.22	0.18		0.64
1000	3.4		1.75	0.15		0.53
1500	4.2			0.12		
2200	8.5			0.10		
3300	11.0			0.08		
4700	13.9			0.06		
6800	25.0			0.04		
10000	32.8			0.02		

- ▶ This indicates the value of current when the inductance is 10% lower than its initial value at D.C. Superposition or the value of D.C. Current when temperature rise $\Delta t=40^{\circ}\text{C}$  whichever is lower.
- ▶ For any DRI (美規) core requirement not listed in the catalog, please feel free to contact with us for more information.

## [DRI TYPE] 面實裝 POWER CHOKE CORES 基座型

### INDUCTANCE VS. CURRENT CURVE

Inductance Range: (1.0  $\mu$ H~10000  $\mu$ H)

### TYPICAL ELECTRICAL CHARACTERISTICS CURVE:

DRI 3.9 $\times$ 2.1 T ~ DRI12.7 $\times$ 6.0 T

TEST INSTRUMENT ZENTECH 101 & 301A

### INDUCTANCE VS. CURRENT (REFERENCE)

電感值 - 電流(參考值)

